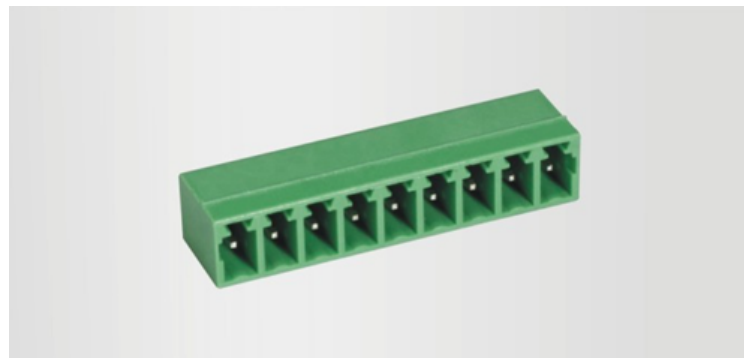


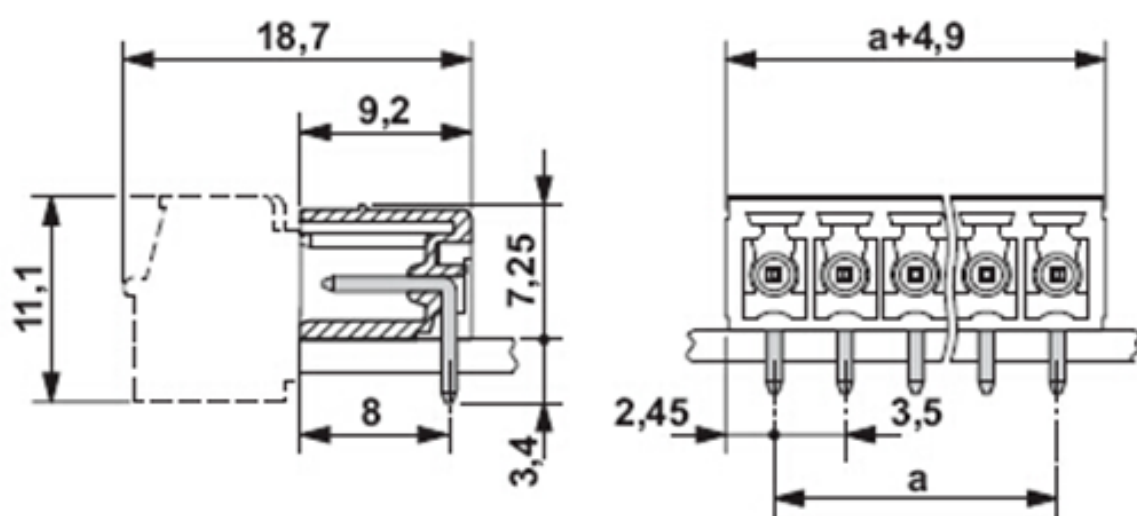
APPROVALS: RoHS (submitted) (submitted)



PART NO.: 15EGTRC-3.5

- Pluggable Terminal Block,
- Nominal Current (IEC): 7A
- Rated Voltage (IEC): 250V
- Number of Positions: 2P-24P
- Standard Color: Green
- Contact Surface: Tin
- Connection Method: Soldering

DRAWINGS:



www.cngolten.com
golten@cngolten.com

Tel: +86-574-63204122

1/3
18/5/2013

TECHNICAL DATA:

Electrical		
Standard	UL	IEC
Rated voltage	300V	250V
Rated current	8A	7A
Rated impulse voltage	2.5KV	
Mechanical		
Ambient temperature	-40°C~+105°C	
Dimensions		
Pitch	3.5mm(.138")	
Poles	2P-24P	
Material		
Housing	PA66,UL94V-0	
Pin header	Brass,Tin plated	

APPLICATION:

Elevator, Industry, Security, Instrument, Machinery, Energy, Communication, Lighting, Construction, Electrical

MATCHING PARTS:

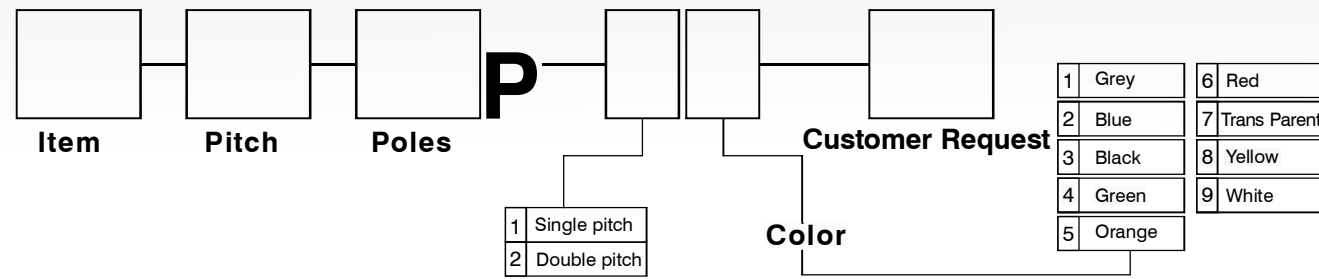
female parts \ male parts	15EGTK-3.5	15EGTKM-3.5	15EGTKA-3.5	15EGTKAM-3.5	15EGTKB-3.5	15EGTKBM-3.5
15EGTRC-3.5	•	•	•	•	•	•

www.cngolten.com
golten@cngolten.com

Tel: +86-574-63204122

2/3
18/5/2013

HOW TO ORDER:



PACKING:

Item	Number of Poles	PCS/Box A	PCS/Box B	PCB/Carton	GW/CTNS(KG)	
15EGTRC-3.5	2		3000	12000	6	
	3		2000	8000	6	
	4		1600	6400	6	
	5		1200	4800	6	
	6		1000	4000	6	
	7		1000	4000	6	
	8		2300	9200	14	
	9		2100	8400	15	
	10		1825	7300	14	
	11		1675	6700	14	
	12		1575	6300	14	
	13		1400	5600	14	
	14		1300	5200	15	
	15					
	16		1150	4600	14	
	17		1100	4400	15	
	18		1050	4200	15	
	19					
	20		875	3500	14	

Remark: Box A Dimension: 20*13.5*7(cm); Box B Dimension: 26*20*10(cm)
Carton Dimension: 42*28*23(cm)

www.cngolten.com
golten@cngolten.com

Tel: +86-574-63204122

3/3
18/5/2013